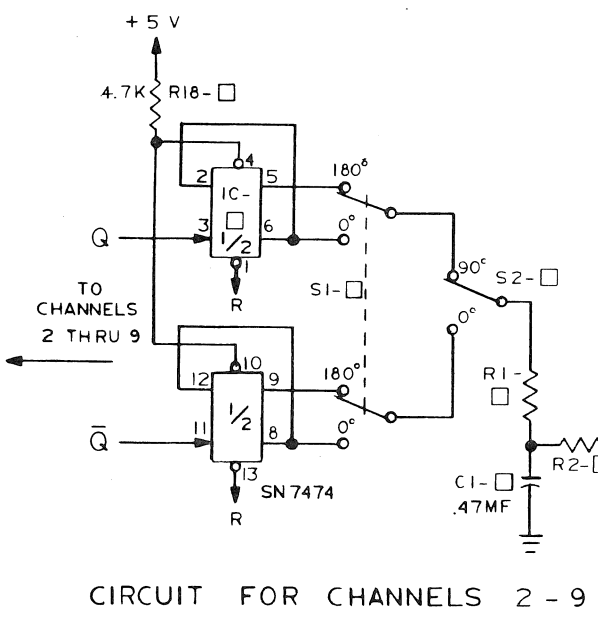
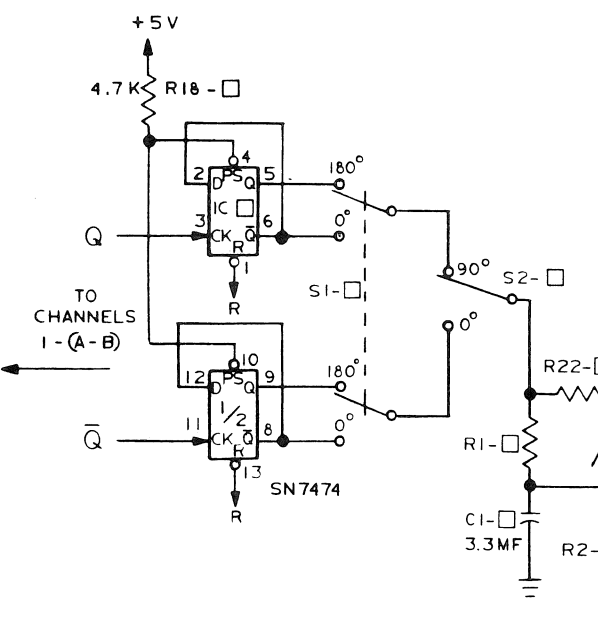


CHANNEL	IC -	TRANSISTOR	CAPACITOR	RESISTOR	SWITCH
2	30	Q1-2	C1-THRU C4-2	R1-2 THRU R4-2	S1-2 THRU S3-2
3	31	Q1-3	C1-3 THRU C4-3	R1-3 THRU R4-3	S1-3 THRU S3-3
4	30	Q1-4	C1-4 THRU C4-4	R1-4 THRU R4-4	S1-4 THRU S3-4
5	29	Q1-5	C1-5 THRU C4-5	R1-5 THRU R4-5	S1-5 THRU S3-5
6	28	Q1-6	C1-6 THRU C4-6	R1-6 THRU R4-6	S1-6 THRU S3-6
7	27	Q1-7	C1-7 THRU C4-7	R1-7 THRU R4-7	S1-7 THRU S3-7
8	26	Q1-8	C1-8 THRU C4-8	R1-8 THRU R4-8	S1-8 THRU S3-8
9	25	Q1-9	C1-3 THRU C4-9	R1-9 THRU R4-9	S1-9 THRU S3-9

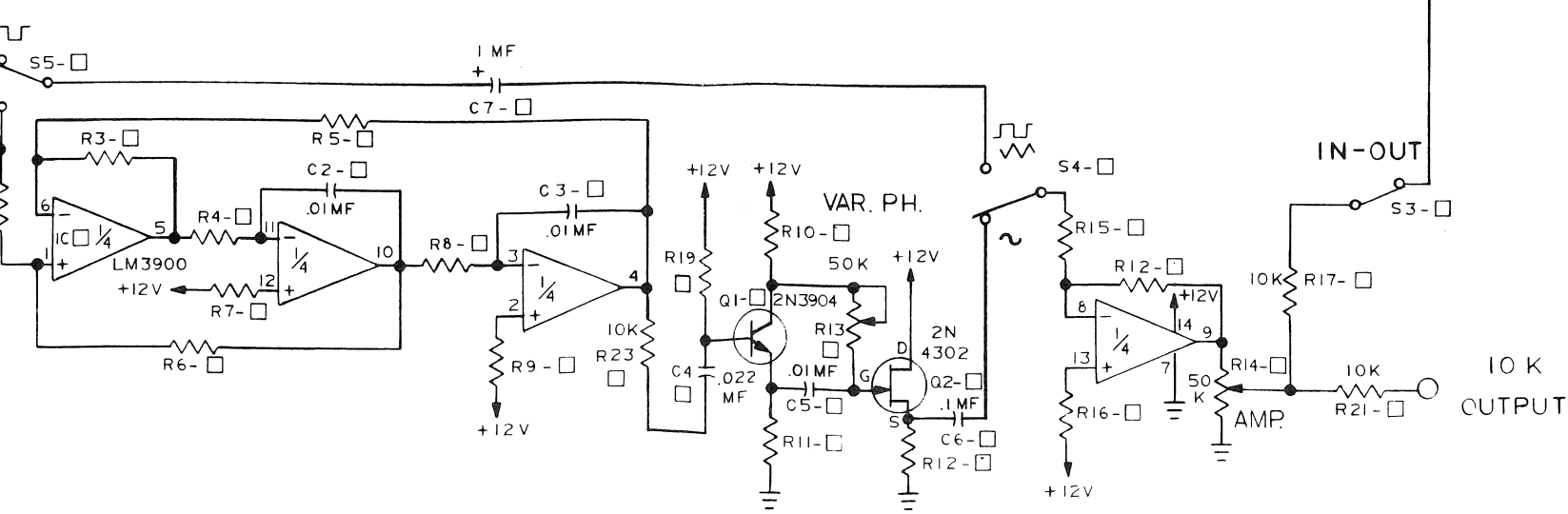


CIRCUIT FOR CHANNELS 2 - 9

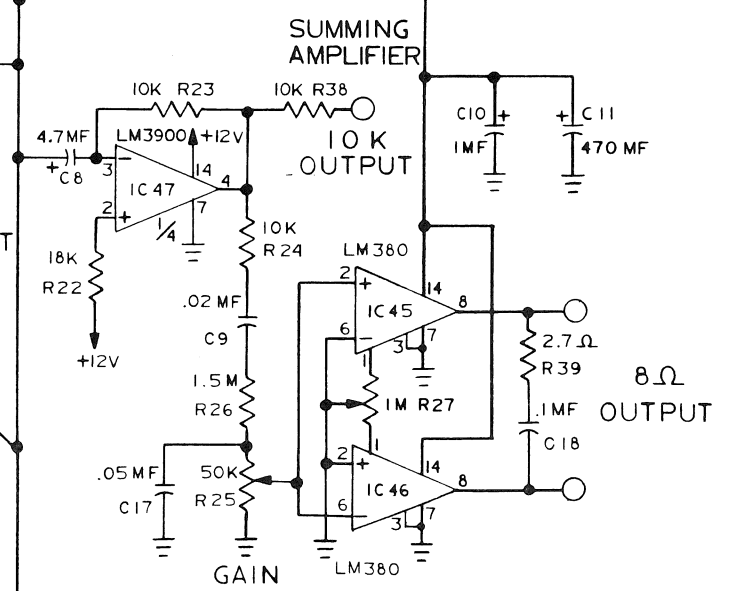
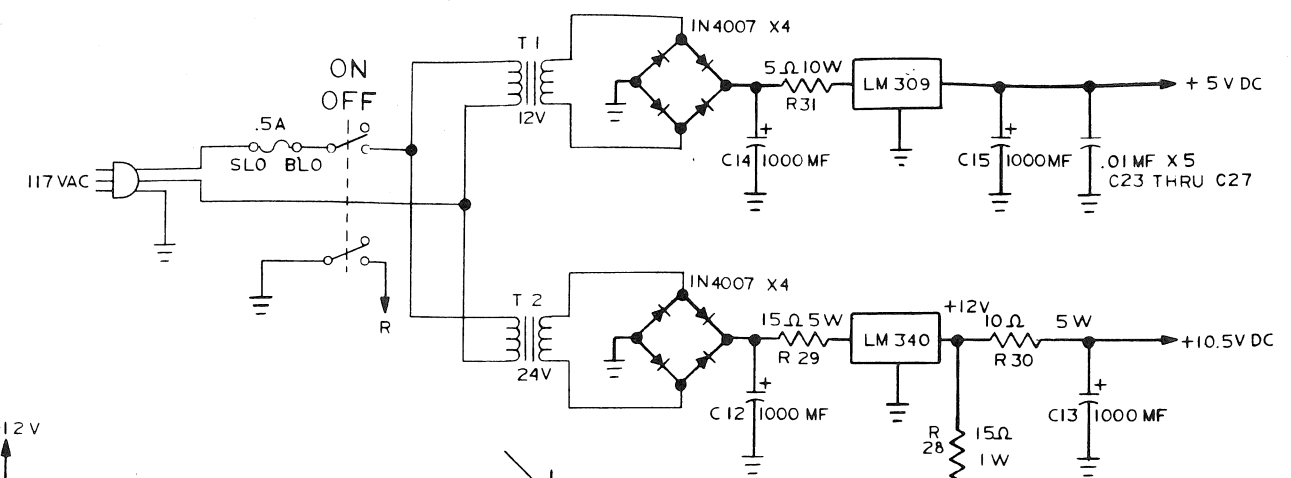


CIRCUIT FOR CHANNELS 1 (A-B)

CHANNEL	IC -	TRANSISTOR	CAPACITOR	RESISTOR	SWITCH
A	33	Q1-A	C1-A THRU C6-A	R1-A THRU R23-A	S1-A THRU S5-A
B	34	Q1-B	C1-B THRU C6-B	R1-B THRU R23-B	S1-B THRU S5-B



CHANNEL CIRCUITRY



PASCO scientific CALIFORNIA, U.S.A.

SCALE: _____

OWN BY: SWD

DATE: 1-19-5

APP'D BY: _____

DATE: 9307

PROD. ID: _____

DWG. LIST NO: _____

DRAWING NUMBER: D-005-00253-B

SHEET: 1/2